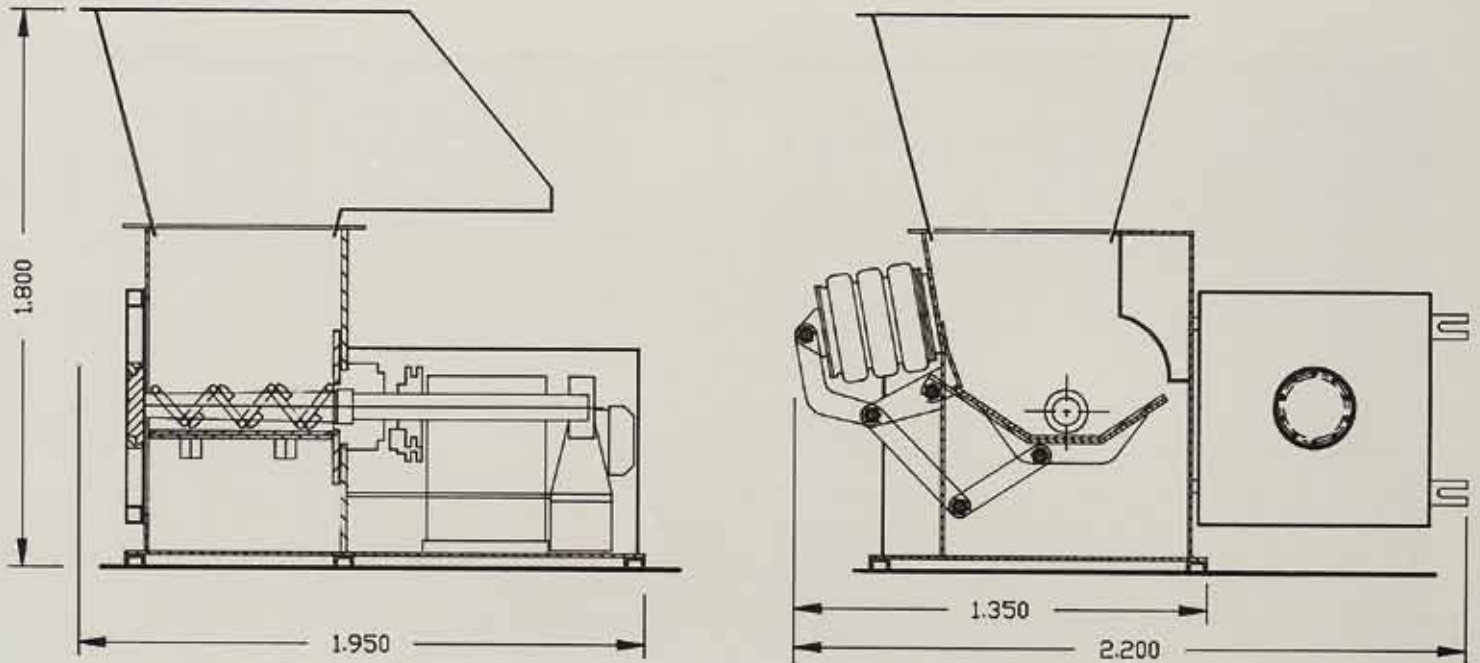




WIRE WINDER



Installed to reduce wires and straps from pulp and waste-paper bales into a convenient and compact roll. Easy to store and commercially viable, it represents a solution to the problem of loose wire around the pulper house.

The unit weighs 1380 kgs, is simple to install. Voltage is to your requirements and an air connection of only 1,5 bar is required.

The wire from up to 160 bales can be wound to a roll of 500 mm dia. by 500 mm in length. Installed power is 4 kw, absorbed power, 2,5 kw.